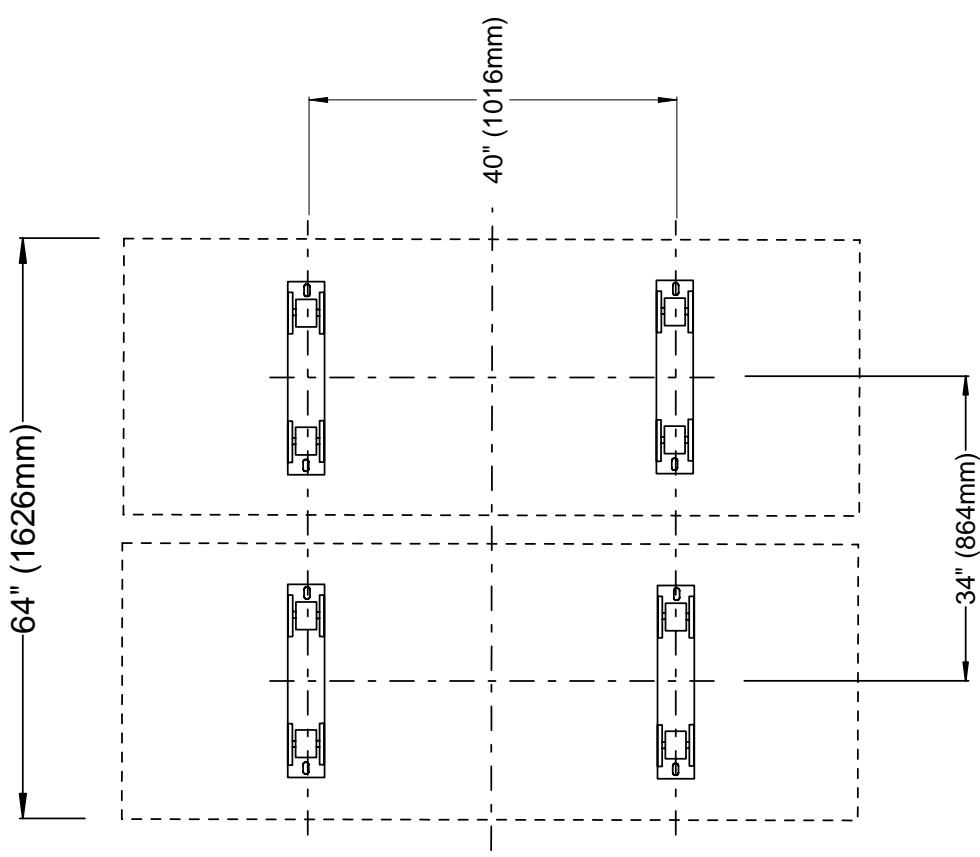


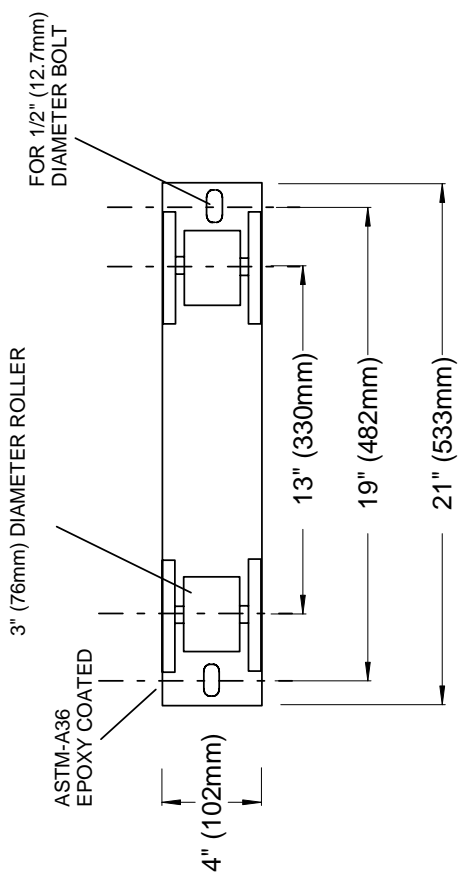
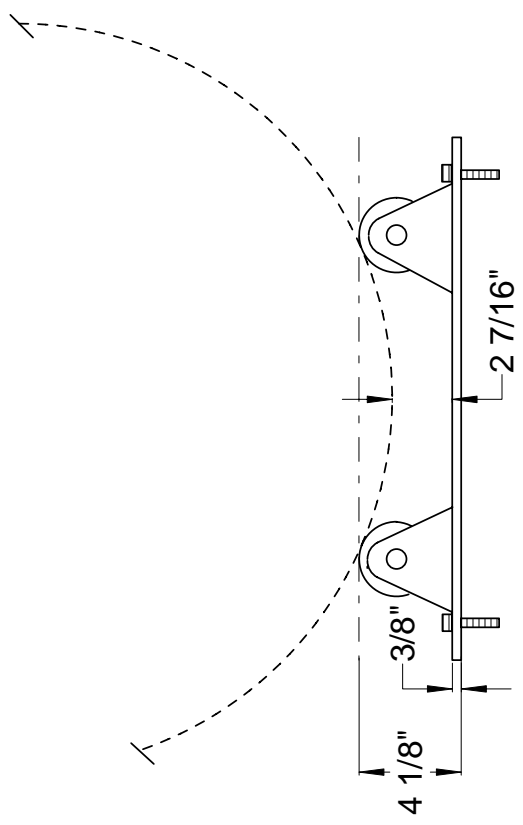
Interior Rollers

Force Flow Model 21L Roller Trunnion

- Visually inspect the interior rollers with each vessel use. Look to see that each roller wheel is level and that there are two on each mounting plate.
- The rollers need no lubrication.



**TRUNNION SPACING RECOMMENDATION
FOR TON CONTAINER STORAGE**



1150-D Burnett Ave, Concord, CA 94520 USA
 1-800-893-6723 US & Canada, Fax: 925-686-6713
www.forceflow.com / info@forceflow.com
 File: T4/O&MACCESSORY21L.tcw (WEB: 21L.pdf)

**MODEL 21L TRUNNION
(2 per set)
Ton Container Storage**

Drawn by: SLP
 Date: 02/01/70
 Revised: 02/18/00
 Scale: NONE
 Drawing Number
28765

